

Detroit Precision Hommel's bore plug solutions are targeting roughness measurement on bore I.D.'s on the shop floor.

With over 10 Years experience in tailoring plugs for it's customers, DPH has a vast variety of solutions that can be offered.



T500 Bore Plug

- SHOP FLOOR roughness measurement
- TIME SAVING - cost effective solution to measure bores
- Interchangeable mount
- Safe and Convenient
- Suggest Auto-retract
- Small and Portable

- Quick change adapter
- Different plugs
- One evaluation unit
- Inexpensive solution
- Calibration fixtures available



Various \varnothing Quick change adapter plugs



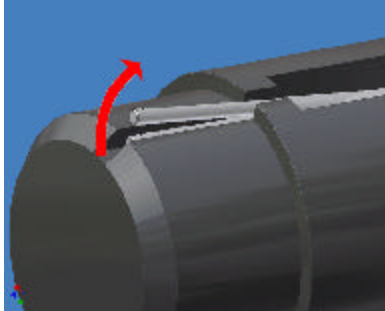
Probe Retraction

Automatic probe retraction for a maximum probe security



T1000 Bore Plug

Retraction Feature



- Less service
- Virtually no training
- High protection of the measurement components

- For bores from 3 mm to 100 mm diameter
- Max depth depending on application

